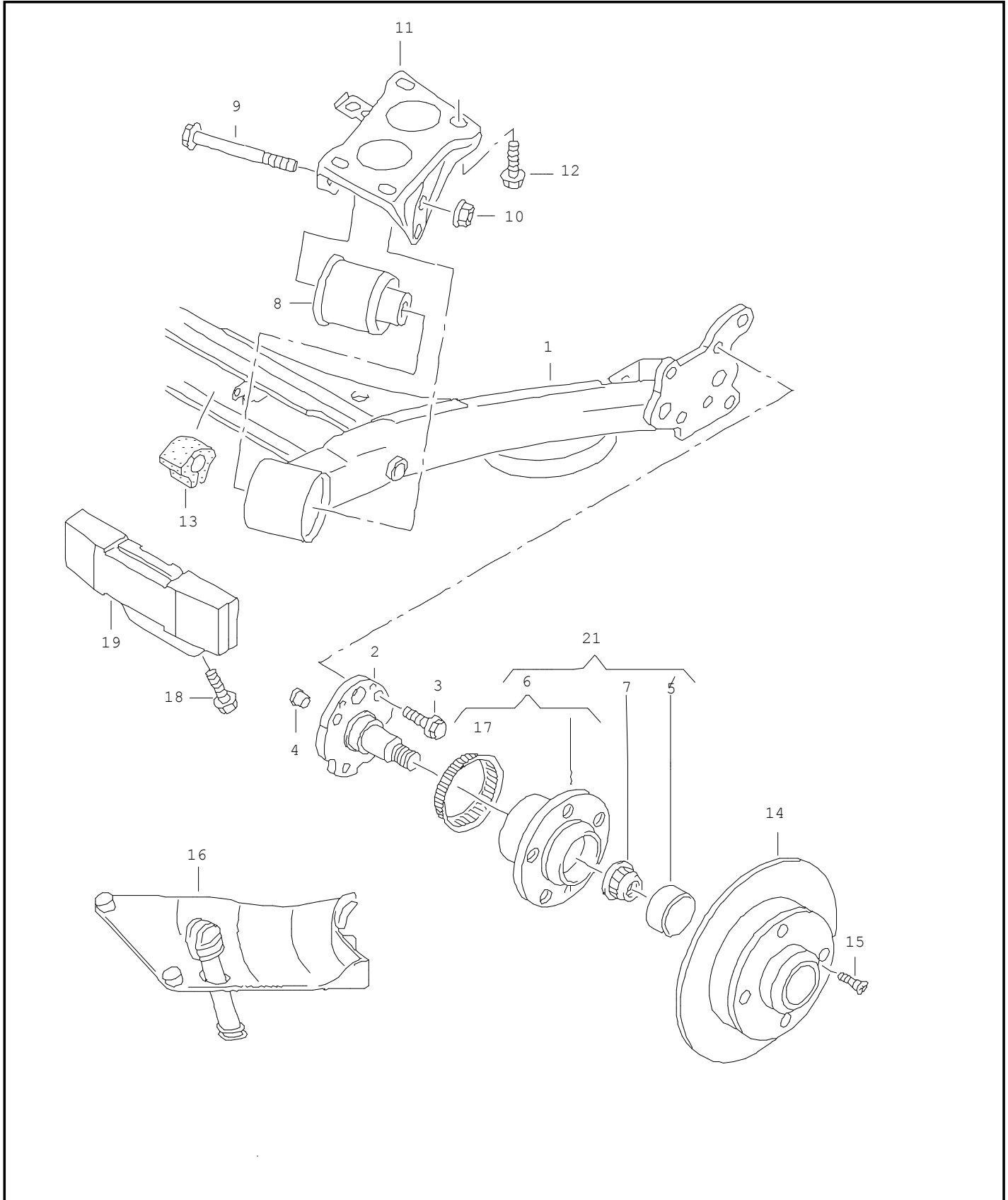




ETKA



Model	Year	MG	SG	Illustration	Restrictions	Update		
GOLF	98	5	00	500-20	1J-W-000 001 >>	512	19:07	10.10.2006





ETKA



Model	Year	MG	SG	Illustration	Restrictions	Update	19:07	10.10.2006
GOLF	98	5	00	500-20	1J-W-000 001 >>	512		

Pos	Part Number	Name	Remarks	Qty	Model
		rear axle beam with attachment parts			fr.wheel drv
1	1J0 500 051 J	rear axle beam with stabilizer	21,7MM	1	PR-0BB
		also use:	1J0 501 541 C	2	
(1)	1J0 500 051 K	rear axle beam with stabilizer	18MM	1	PR-0BC
		also use:	1J0 501 541 C	2	
2	1J0 501 117 A	stub axle		2	sedan
2	1J0 501 117 B	stub axle		2	estate
3	N 907 589 01	hexagon head bolt (combi)	M10X32	8	
4	191 501 159	plug for models without anti-locking system		2	
5	1J0 501 249 A	cap F >> 1J-Y-720 000*		2	
5	1J0 501 249 C	cap F 1J-Y-720 001>>*		2	
6		discontinued / replacement:	1J0 598 477	2	
7	N 906 545 01	12 point socket shouldered nut self-locking	M20X1,5	2	
8	1J0 501 541 C	bonded rubber mounting		2	
9	N 104 099 02	hexagonal head bolt	M12X1,5X125	2	
10	N 101 064 02	shouldered hex. nut, self-locking	M12X1,5	2	
11	1J0 501 543 D	bearing bracket	left	1	
(11)	1J0 501 546 C	bearing bracket	right	1	
12	N 906 484 01	hexagon head bolt (combi)	M10X35-SV-S16	8	
13	1J0 511 423	rubber mounting for stabiliser:	21,7MM	1	
(13)	871 511 423	rubber mounting for stabiliser:	18MM	1	
(14)		brake drum see illustration:	609-30	2	
14		brake disc see illustration:	615-60	2	
15	+ N 101 126 03	countersunk bolt	M6X15SP	2	
16	1J0 511 533 A	stone guard	left	1	



ETKA



Model	Year	MG	SG	Illustration	Restrictions	Update		
GOLF	98	5	00	500-20	1J-W-000 001 >>	512	19:07	10.10.2006

Pos	Part Number	Name	Remarks	Qty	Model
(16)	1J0 511 534 A	stone guard	right	1	
17	1J0 614 149	rotor for speed sensor	rear	2	
18	N 019 502 7	bolt, hex. hd. with shoulder, self-locking	M8X25-MK	2	
19	1J0 505 563	balance weight	115HZ	1	
21	1J0 598 477	wheel bearing with mounting parts		2	
-	G 052 150 A2	lithium-grease	180G	X	
		- - - E N D - - -			